

LUXARTUS Light Box (Profile E) Powered by LuxFIT™ LED Edge-Lit Technology



FEATURES

- **Ultra Slim Profile** 7/8"
- **3 Standard Sizes** ready to ship
- **Quick Graphics Change** with snap open frame
- **Great Evenness & Brightness** with LuxFIT™ LGP Technology
- **80% More Energy-Saving** than traditional lighting
- **Custom Sizes & Finishes** available
- **2-Year Manufacturer Warranty**

MODULAR DESIGN CAPABILITY



LUXARTUS Light Boxes are the only ones on the market engineered to maintain even brightness over different sizes, making modular design possible and simple.

With more than a decade of experience serving the LCD industry, our engineering team has built the optical design software with a database composed of more than 20,000 combinations of dimensions and patterns. We can quickly optimize the reflective pattern by altering parameters in the database and, at the same time, reducing development time for custom projects.

APPLICATIONS



Job Name:

Model Numbers:

Job Number:

SPECIFICATIONS

Safety Standard

- UL Listed Electric Sign (E351307)

Dimensions

- Depth 7/8" (22mm) Complies with the wallway depth restriction of the ADA Act of 1990
- Frame Size = Graphic Size + 1 9/16" (39.5mm)
- Visual Area = Graphic Size - 1 1/2" (37.5mm)
- Tolerance +/- 1/8" (3mm)
- Frame Width = 1 1/2"

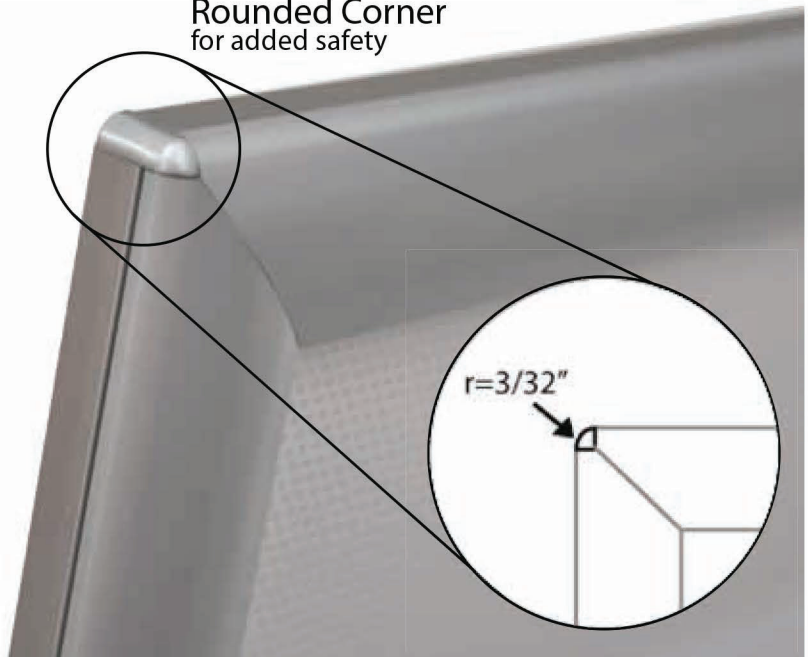
Graphics

- 3 Standard Sizes
- Custom Sizes: Maximum 60" x 120" (1524 x 3048 mm)
- Front Clear Protection Cover Included

Frame

- All 4 Sides Snap Open
- Anodized Aluminum
- Comes in Silver or Black
- Portrait or Landscape Mount
- Individually Packed

Rounded Corner for added safety



Lighting and Power

- LuxFIT LED Edge-Lit Light Panel enclosed
- 6500K LEDs on the 2 Longer Sides (for D1620 & D1824, LEDs are on the shorter sides)
- 120VDC/60Hz
- Electrical Cord: Black 10'5" (3175mm), 2-Prong Plug

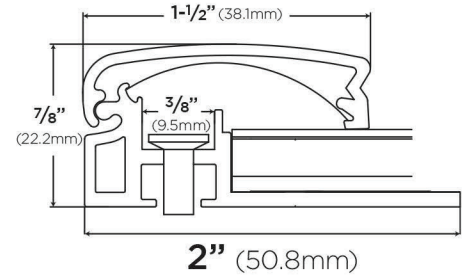
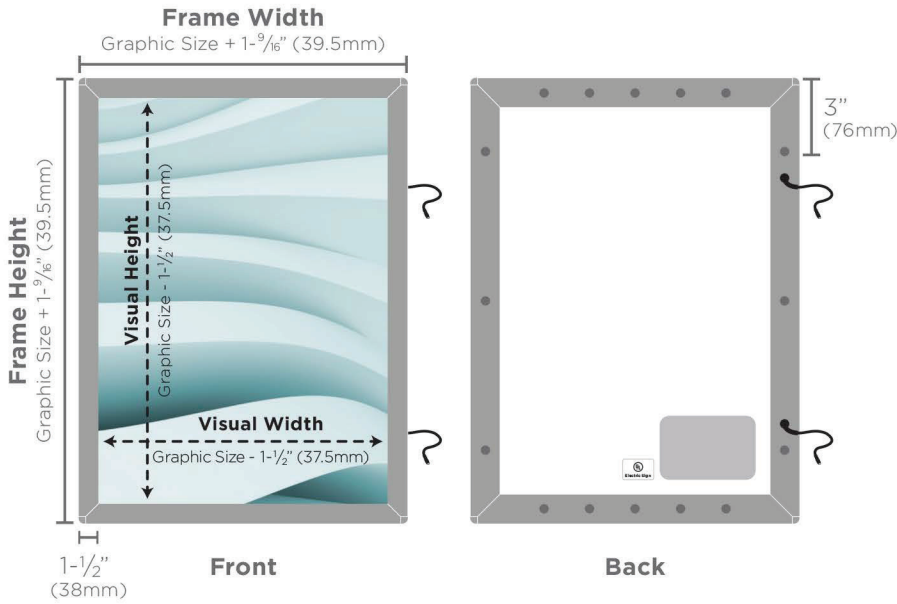
Options

- Eyelets for Ceiling Mount
- Custom Sizes
- Dimmer
- Custom Finish Color

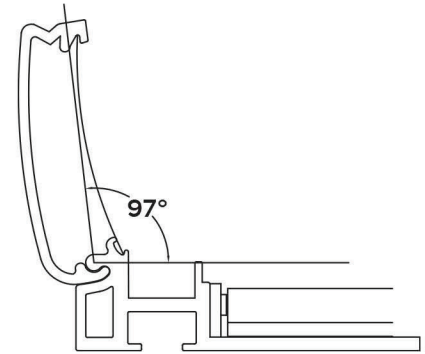
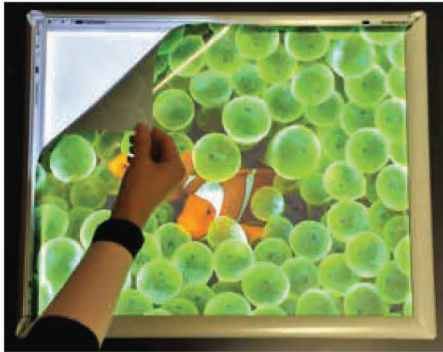
Job Name:

Model Numbers:

Job Number:



Frame Sectional View



Open Snap Frame

SOA™ LED Light Box (Specifications by Size)

Item #	Graphic Size	Visual Area	Frame Size L x W x D	Power (Watt)	Adapter
E3648	36" x 48" (914mm x 1219mm)	34½" x 46½" (875.5mm x 1180.5mm)	37 9/16" x 49 9/16" x 7/8" (954.5mm x 1258.5mm x 22mm)	78	24VDC/4A (1 pc)
E4872	48" x 72" (1219mm x 1829mm)	46½" x 70½" (1180.5mm x 1790.5mm)	49 9/16" x 73 9/16" x 7/8" (1258.5mm x 1868.5mm x 22mm)	117	24VDC/4A (2 pcs)
E4896	48" x 96" (1219mm x 2438mm)	46½" x 94½" (1180.5mm x 2399.5mm)	49 9/16" x 97 9/16" x 7/8" (1258.5mm x 2478.5mm x 22mm)	156	24VDC/4A (2 pcs)

Contact us for price quotations, custom sizes, and custom options.

Job Name:

Model Numbers:

Job Number: