

# DMX512 4-Channel Decoder



## OVERVIEW:

The DMX512 Decoder adopts advanced micro-computer control technology and converts DMX-512/1990 standard digital signal. The decoder outputs 1-4 Channels with each channel capable of achieving 256 levels of brightness controlling.

## Features:

- Meets DMX512/1990, with RJ45 and XLR3 interface.
- 256-levels brightness, full-color with driver controls.
- Power without flashing, low jitter free.
- 4-Channel output, maximum 4A per channel.
- Can achieve asynchronous color changes effect under working controller.
- Easy DMX address set up by digital display.

## Technical Specifications

Input: DC12-24V

MAX Power: 192W(12V), 384W(24V)

Operating Temp.: -20 - 60°C

Weight: 360g, 0.79 lbs

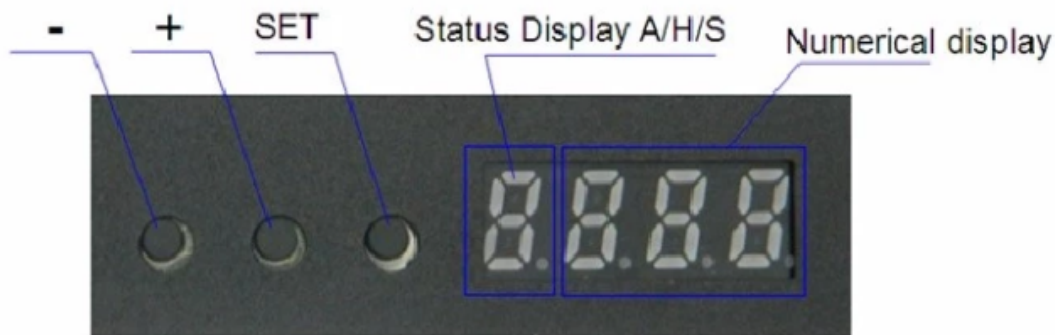
MAX Output: 4CH, 4A/CH MAX 16A

Frequency: 500 or 5000Hz

Static Power Consumption: <1W Product

Dimensions: 176L x 67W x 41H(mm)

### Product Instructions:



Show symbols	Mode	Show symbols	Mode
H-00	Turn OFF output	H-05	Static purple
H-01	Static red	H-06	Static cyan
H-02	Static green	H-07	Static white
H-03	Static blue	H-08	Seven color jump ( speed adjustable)
H-04	Static yellow	H-09	Seven color fade ( speed adjustable)

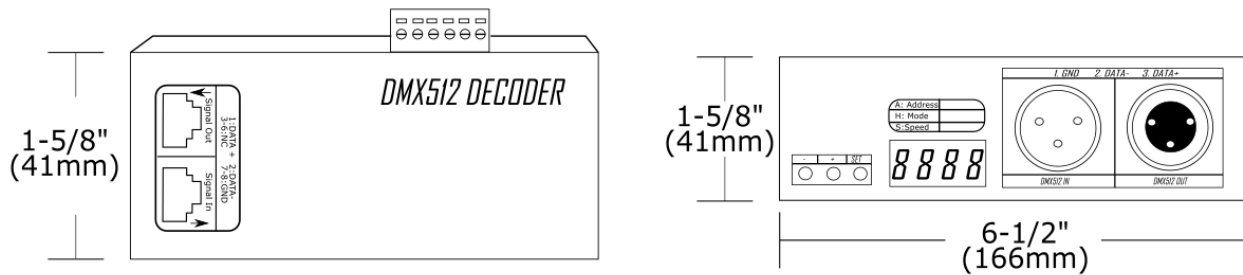
#### • Digital Display Specifications

- The decoder contains three buttons to set the address code. Each decoder will occupy 1-4 address codes depending on the LED type. (Single color LEDs will occupy 1 address, Tunable White LEDs will occupy 2 addresses, and RGB LEDs will occupy 3 addresses.) The 4-digit display demonstrates Function (A/H/S) on the first digit and the last 3 digits displays the decoder address.
- "A" status signifies that the decoder is under the DMX512 signal control state and can be controlled by the DMX controller.
- "H" status signifies that the decoder is in demo-mode, meaning the decoder will work with the pre-set modes shown in the table above.
- "S" status signifies pre-set dynamic change setting and applies only to H-08 and H-09. Press SET button to lightly enter the speed adjustable state, then press +/- to increase or decrease speed.

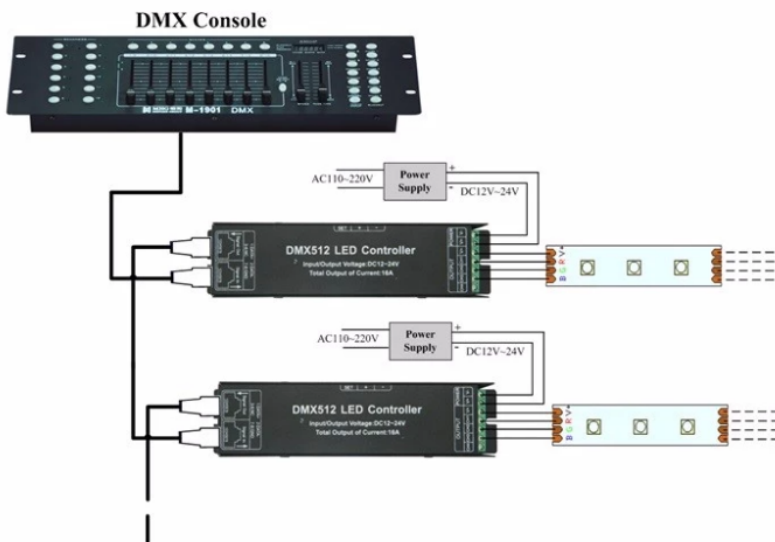
### • Key Function Specifications:

- There are three buttons (Button 1: -, Button 2: +, and Button 3: SET ) on the decoder, the functions are listed below.
- Button "SET": Mode switch key, press this key for 2 seconds to go into switch mode, switch between "A", "H", and "S" by tapping "SET" button.
- Button "+": Increase button, the last three digits on the digital display will increase in increments of one when the "+" button is pressed. To increase the address code rapidly, press and hold the "+" key until desired address is reached.
- Button "-": Decrease button, the last three digits on the digital display will decrease in increments of one when the "-" button is pressed. To decrease the address code rapidly, press and hold the "-" key until desired address is reached.
- Note\*: The decoder will self lock after 5seconds if there is no activity.

### Dimensions:



### Wiring Diagram:



### DMX-512 Control Signal Connection

- DMX signal cable should consist of a twisted pair (line), where the DMX signal includes positive and negative end. Pay special attention to polarity.DMX controller output signal positive, negative, and ground with DE8018 input interface corresponding connection.
- DMX5000 output and DE8018 transmission lines cannot be over 300 meters.
- When connected 32 pcs of DE8018, DMX signal must add a signal amplifier.
- When more than 3 decoders are chained together, DMX signal must be terminated at the last decoder.

This original artwork is protected under Federal Copyright Laws. Make no reproduction of this design concept without permission from LEDCONN Corp.

Customer

Project

Wiring diagram  
File Name

Project Manager

Drawn by  
Richard Nguyen

Checked by

Date

Revisions

Customer Signature

Date

Note: When more than 3 DMX decoders are chained together, the DMX signal must be terminated with a DMX Terminator at the last decoder. One (1) DMX Terminator is required per DMX Universe/Controller

