

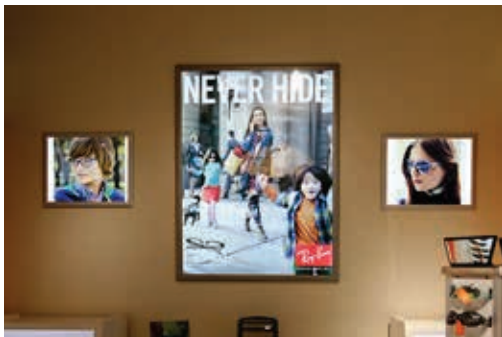
SOA™ LED Light Box (Profile D) Powered by Lux FIT™ LED Edge-Lit Technology



FEATURES

- **Ultra Slim Profile** 5/8"
- **6 Standard Sizes** ready to ship
- **Quick Graphics Change** with snap open frame
- **Great Evenness & Brightness** with LuxFIT™ LGP Technology
- **80% More Energy-Saving** than traditional lighting
- **Custom Sizes & Finishes** available
- **2-Year Manufacturer Warranty**

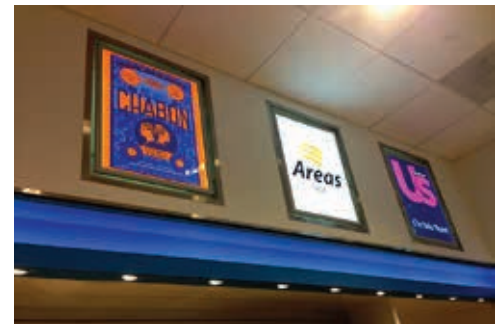
MODULAR DESIGN CAPABILITY



SOA™ Light Boxes are the only ones on the market engineered to maintain even brightness over different sizes, making modular light box design possible and simple.

With more than a decade of experience serving the LCD industry, our engineering team has built the optical design software with a database composed of more than 20,000 combinations of dimensions and patterns. We can quickly optimize the reflective pattern by filtering parameters in the database and, at the same time, reducing development time for custom projects.

APPLICATIONS



Job Name:

Model Numbers:

Job Number:

SPECIFICATIONS

Safety Standard

- UL Listed Electric Sign (E351307)

Dimensions

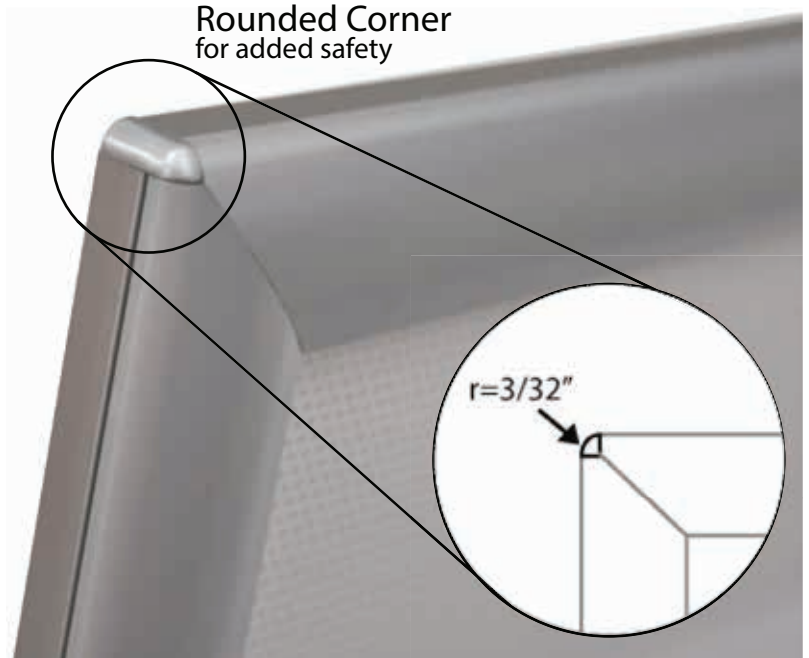
- Depth 5/8" (16mm) Complies with the wallway depth restriction of the ADA Act of 1990
- Frame Size = Graphic Size + 1 1/2" (38mm)
- Visual Area = Graphic Size - 1" (25mm)
- Tolerance +/- 1/8" (3mm)
- Frame Width = 1 3/16"

Graphics

- 6 Standard Sizes
- Custom Sizes
- Front Clear Protection Cover Included

Frame

- All 4 Sides Snap Open
- Anodized Aluminum
- Comes in Silver or Black
- Portrait or Landscape Mount
- Individually Packed



Lighting and Power

- LuxFIT LED Edge-Lit Light Panel enclosed
- 6500K LEDs on the 2 Longer Sides (for D1620 & D1824, LEDs are on the shorter sides)
- 120VDC/60Hz
- Electrical Cord: Black 10'5" (3175mm), 2-Prong Plug

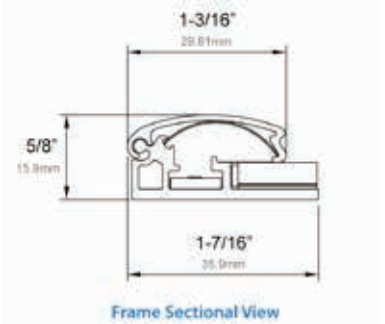
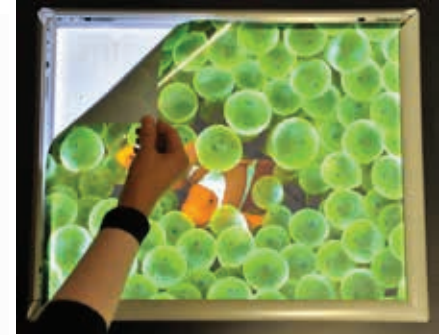
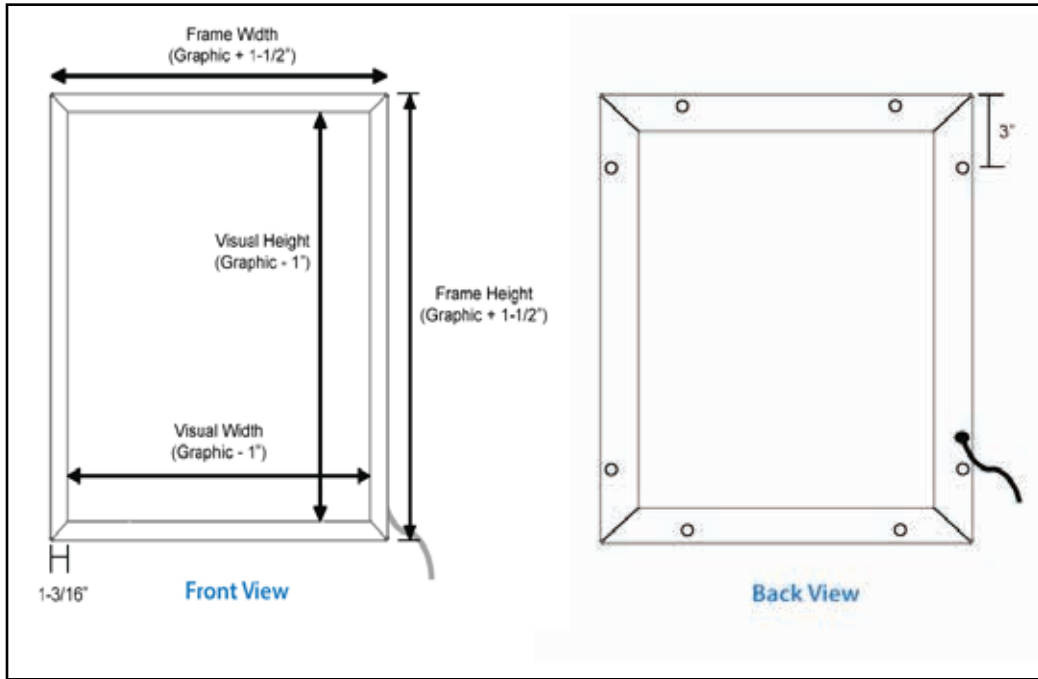
Options

- Eyelets for Ceiling Mount
- Custom Sizes
- Dimmer
- Custom Finish Color

Job Name:

Model Numbers:

Job Number:



SOA™ LED Light Box (Specifications by Size)

| Item # | Graphic Size | Visual Area | Frame Size L x W x D | Power (Watt) | Adapter |
|--------|-----------------------------|----------------------------|---|--------------|----------|
| D1620 | 16" x 20" (406 x 508mm) | 15" x 19" (381 x 483mm) | 17½" x 21½" x 5/8" (444 x 546 x 16mm) | 7 | 12VDC/1A |
| D1824 | 18" x 24" (457 x 610mm) | 17" x 23" (432 x 585mm) | 19½" x 25½" x 5/8" (495 x 648 x 16mm) | 13 | 12VDC/2A |
| D2228 | 22" x 28" (559 x 711mm) | 21" x 27" (534 x 686mm) | 23½" x 29½" x 5/8" (597 x 749 x 16mm) | 21 | 12VDC/3A |
| D2424 | 24" x 24" (610 x 610mm) | 23" x 23" (585 x 585mm) | 25½" x 25½" x 5/8" (648 x 648 x 16mm) | 17 | 12VDC/2A |
| D2436 | 24" x 36" (610 x 914mm) | 23" x 35" (585 x 889mm) | 25½" x 37½" x 5/8" (648 x 952 x 16mm) | 25 | 12VDC/3A |
| D3040 | 30" x 40" (762 x 1016mm) | 29" x 39" (737 x 991mm) | 31½" x 41½" x 5/8" (800 x 1054 x 16mm) | 28 | 12VDC/4A |

Contact us for price quotations, custom sizes, and custom options.

Job Name:

Model Numbers:

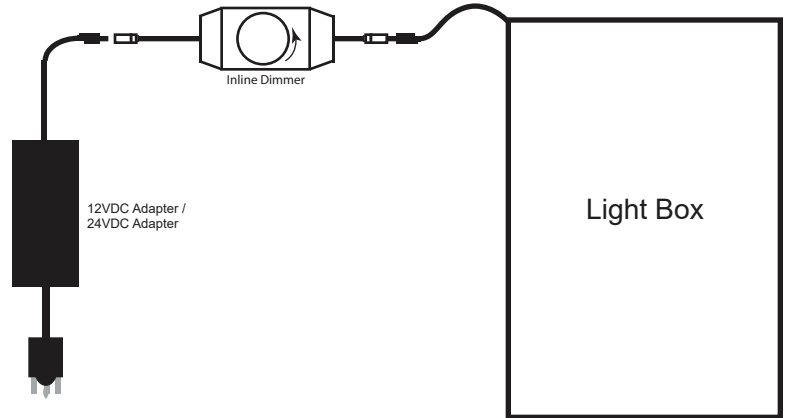
Job Number:

DIMMING OPTIONS

DIMMING OPTION 1: INLINE PLUG AND PLAY



WIRING DIAGRAM

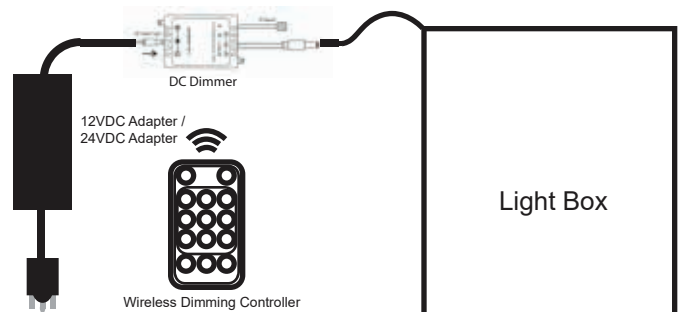


Inline Dimmer can dim any 12V/24VDC LED Light Panels from 0 to 100 percent using the Pulse Width Modulation (PWM) circuit. The knob control allows for a full intensity adjustment range. The dimmer has a maximum load of 2 amps, and has a male and female 5.5mm barrel power connector for connecting in-line with our other power supplies.

DIMMING OPTION 2: RADIO FREQUENCY(RF) REMOTE CONTROL



WIRING DIAGRAM



Warning:
 1. The input voltage of this controller should follow the specifications, other high voltage will likely destroy it.
 2. The 4 wires coming out of the controller must be connected correctly or a short circuit could occur.
 3. Connect the wires of the controller and LED fittings per the instructions.

The **Remote Control LED Dimmer** Switch is a compact, lightweight LED dimmer that comes with a remote control so that you can enjoy total dimming.

Job Name:

Model Numbers:

Job Number:

DIMMING OPTIONS

DIMMING OPTION 3: Low-Voltage Dimming



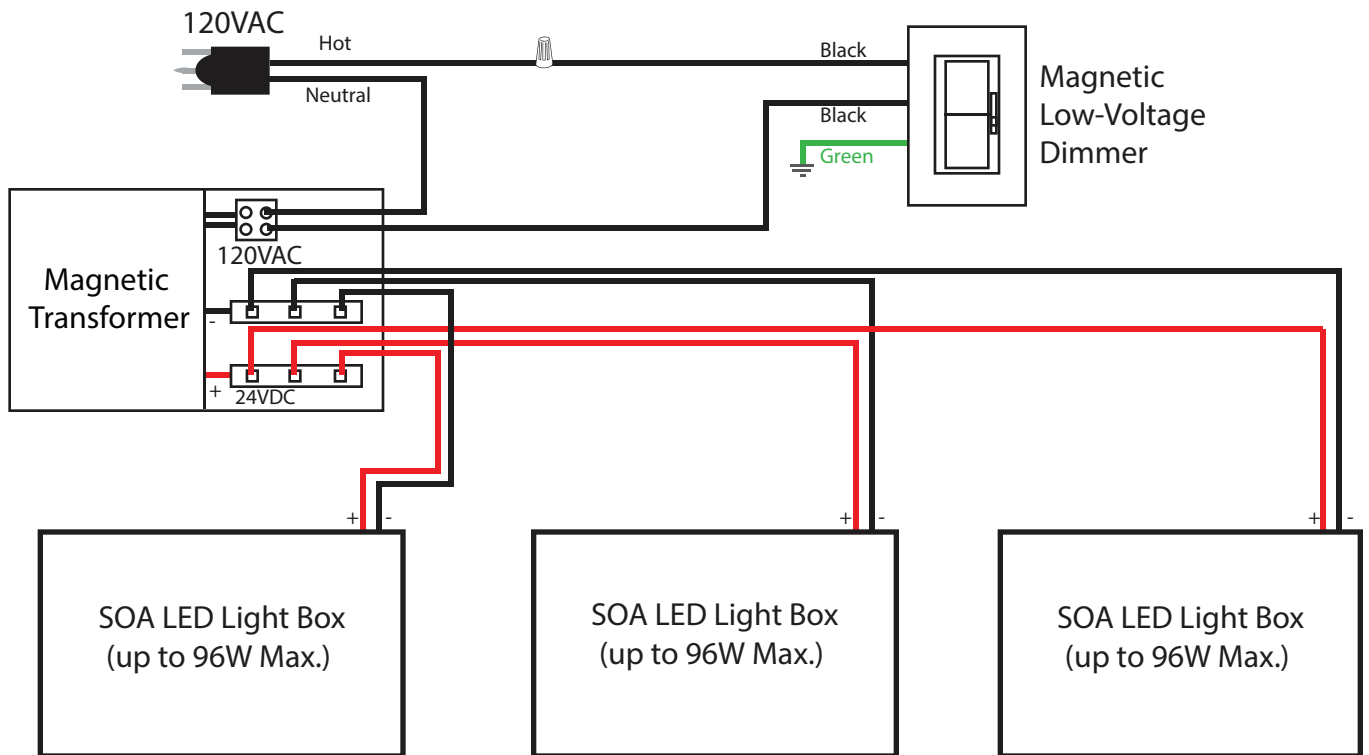
Magnetic Low-Voltage Dimmer



Magnetic Transformer

KEY SYSTEM FEATURES

- Fully dimmable with most Magnetic Low-Voltage Wall Mount Dimmers
- 96W/196W/288W Dimmable Magnetic Transformer with 24VDC output
- Meets CLASS 2 output limits
- Meets all UL, cUL, ANSI/UL, CSA requirements
- Simplified wiring



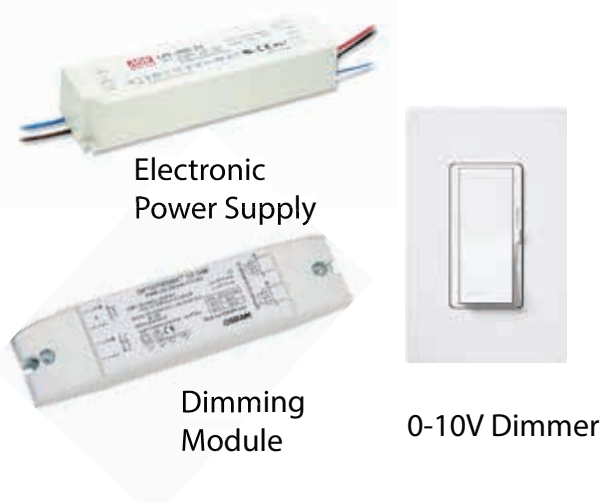
Job Name:

Model Numbers:

Job Number:

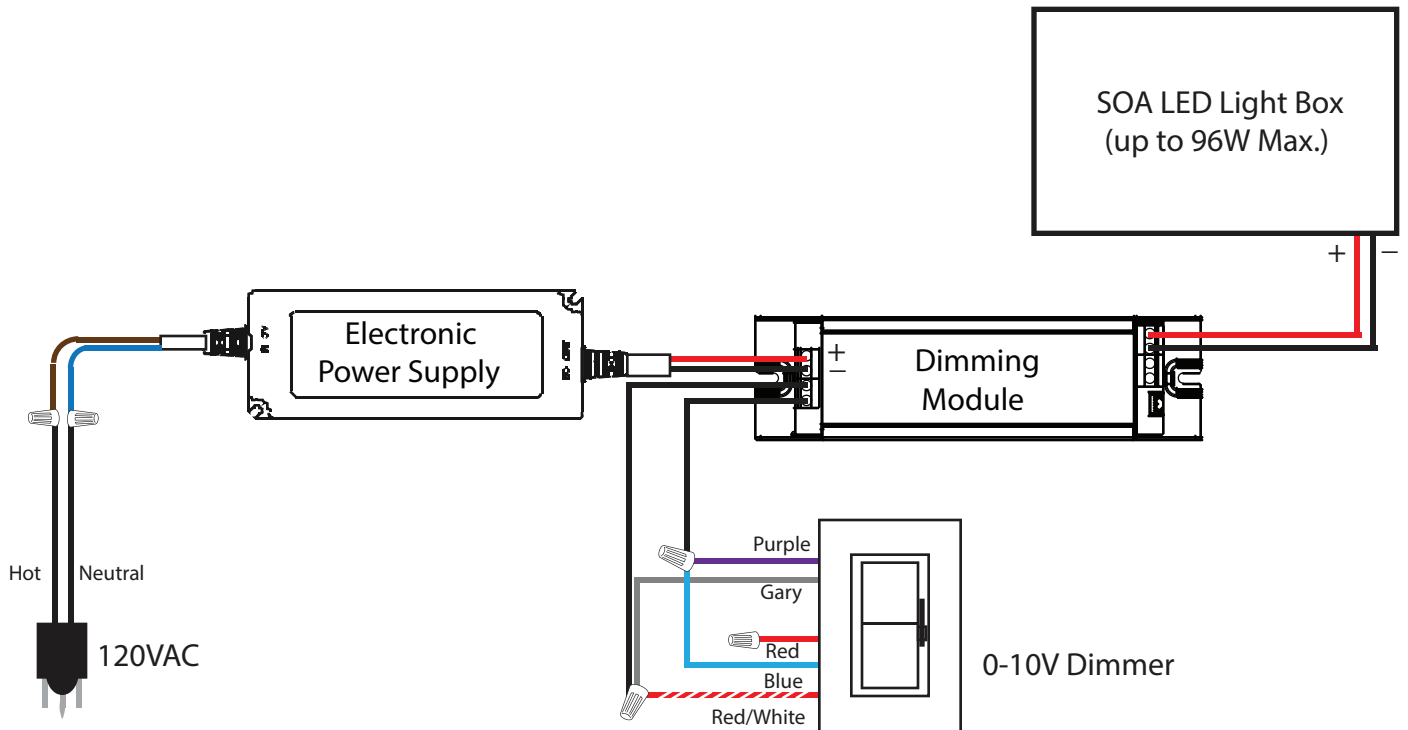
DIMMING OPTIONS

DIMMING OPTION 4: 0-10V Dimming



KEY SYSTEM FEATURES

- Utilize Pulse Width Modulation (PWM) to control LED performance
- Light-weight, low profile
- Dimming range: 0-100%
- Short circuit, overload and overheating protection
- UL and cUL recognized components
- Class 2 power unit
- Built-in active PFC function



* Various dimming modules are available, please contact project manager for more details.

Job Name:

Model Numbers:

Job Number:

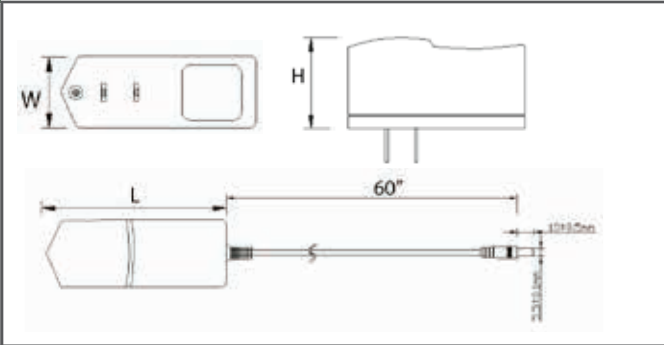
POWER SUPPLY OPTIONS

PLUG-IN POWER SUPPLY

Adapter



Class 2

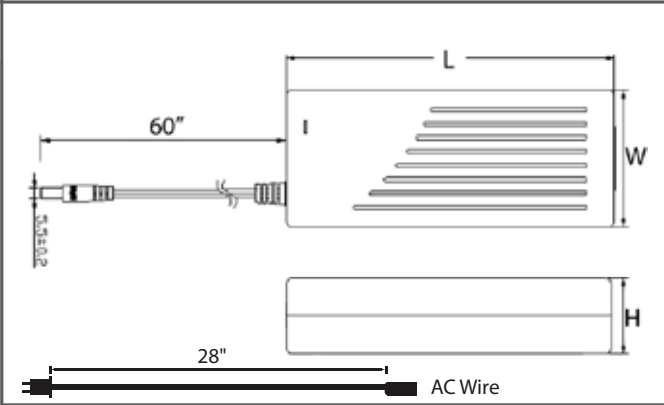


| Type | Dimension (WxLxH) |
|---------|----------------------|
| 12V0.5A | 1.09" x 2.9" x 1.67" |
| 12V1A | 1.09" x 2.9" x 1.67" |

Adapter



Class 2



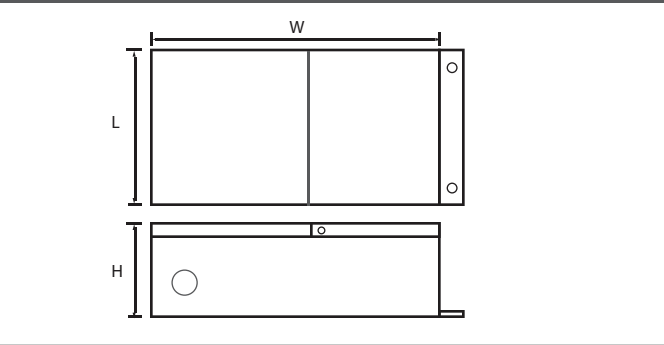
| Type | Dimension (WxLxH) |
|-------|-----------------------|
| 12V2A | 1.85" x 3.54" x 1.17" |
| 12V3A | 1.85" x 3.54" x 1.17" |
| 12V5A | 2.34" x 4.65" x 1.45" |
| 24V1A | 1.85" x 3.54" x 1.17" |
| 24V2A | 2.04" x 4.70" x 1.33" |
| 24V3A | 2.34" x 4.65" x 1.45" |
| 24V4A | 2.82" x 6.75" x 1.56" |

HARDWIRE POWER SUPPLY

Magnetic Transformer



Class 2

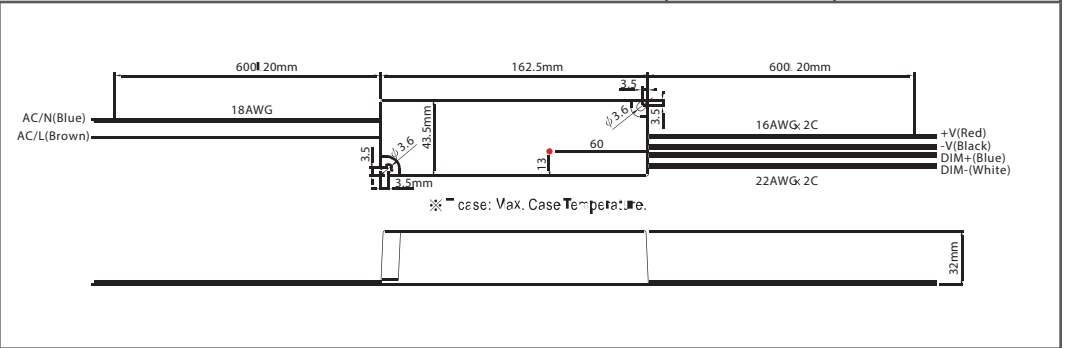


| Type | Dimension (WxLxH) |
|----------|-------------------|
| 24V 60W | 8.5" x 3.5" x 3" |
| 24V 96W | 8.5" x 3.5" x 3" |
| 24V 192W | 14" x 8" x 5" |
| 24V 288W | 14" x 8" x 5" |

Electronic LED Driver



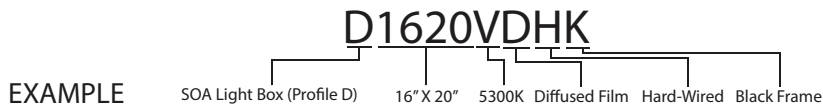
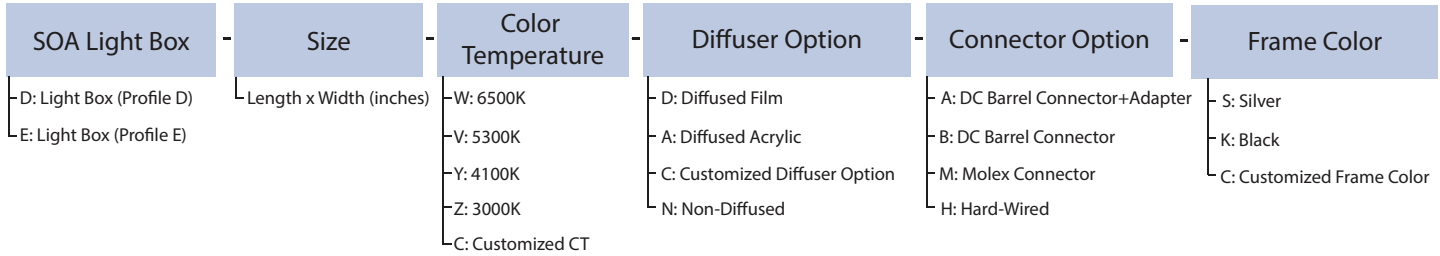
Class 2



Job Name:
Job Number:

Model Numbers:

SOA LIGHT BOX NAMING SYSTEM



Job Name:

Model Numbers:

Job Number: