

DRIVERS & DIMMERS

UL CLASS 2

Indoor & Outdoor Series

POWER SUPPLY OPTIONS

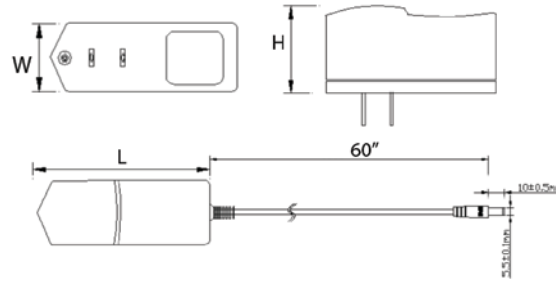
NOTE: Some of the following power supplies are NOT outdoor rated. Please reach out to a LEDCONN Team Member for more information.

PLUG-IN POWER SUPPLY

Adapter



Class 2



Type

Dimension (WxLxH)

12V0.5A

1.09" x 2.9" x 1.67"

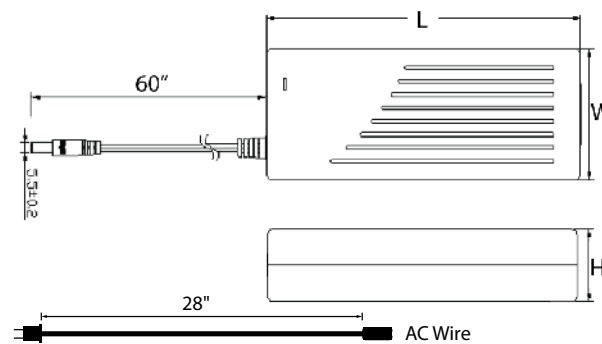
12V1A

1.09" x 2.9" x 1.67"

Adapter



Class 2



Type

Dimension (WxLxH)

12V2A

1.85" x 3.54" x 1.17"

12V3A

1.85" x 3.54" x 1.17"

12V5A

2.34" x 4.65" x 1.45"

24V1A

1.85" x 3.54" x 1.17"

24V2A

2.04" x 4.70" x 1.33"

24V3A

2.34" x 4.65" x 1.45"

24V4A

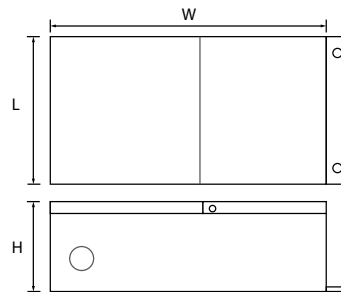
2.82" x 6.75" x 1.56"

HARDWIRE POWER SUPPLY

Magnetic Transformer



Class 2



Type

Dimension (WxLxH)

24V 60W

8.5" x 3.5" x 3"

24V 96W

8.5" x 3.5" x 3"

24V 192W

14" x 8" x 5"

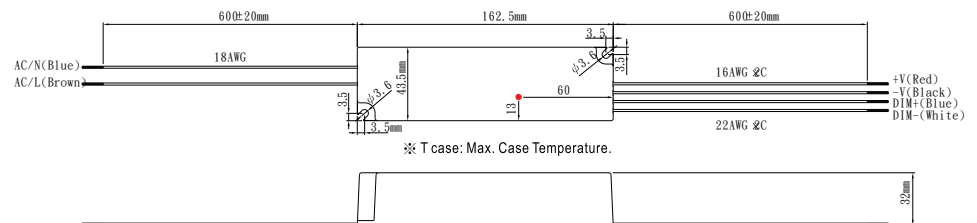
24V 288W

14" x 8" x 5"

Electronic LED Driver



Class 2



※ T case: Max. Case Temperature.

DRIVERS & DIMMERS

UL CLASS 2

Indoor & Outdoor Series

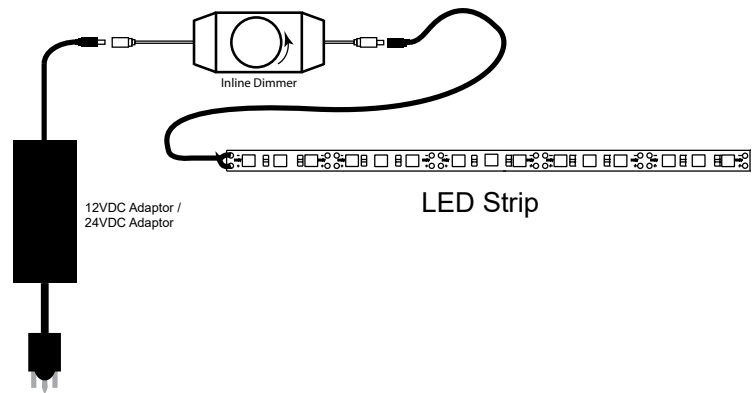
DIMMING OPTIONS

NOTE: Some of the following dimmers are NOT outdoor rated. Please reach out to a LEDCONN Team Member for more information.

DIMMING OPTION 1: INLINE PLUG AND PLAY



WIRING DIAGRAM

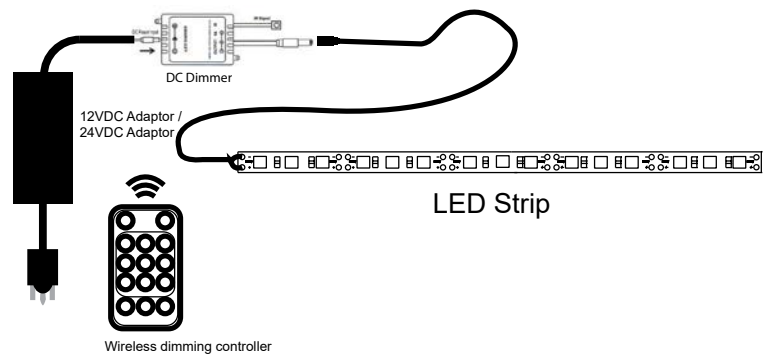


Inline dimmer can dim any 12V/24VDC LED Light Panels from 0 to 100 percent using Pulse Width Modulation(PWM) circuit. Knob control for fully intensity adjustment range. Maximum load is 2 amps, has male and female 5.5mm barrel power connector for connecting in-line with our power supplies.

DIMMING OPTION 2: RADIO FREQUENCY(RF) REMOTE CONTROL



WIRING DIAGRAM



Warning:
 1. The input voltage of this controller should follow the specifications, other high voltage would most probably destroy it.
 2. The 4 wires coming out of the controller can't be incorrectly interconnected or short circuit could occur.
 3. Connecting the wires of the controller and LED fittings as per instruction.

The Remote Control LED Dimmer Switch is a compact, lightweight LED dimmer that comes with a remote control. Enjoy total dimming

DRIVERS & DIMMERS

UL CLASS 2

Indoor & Outdoor Series

DIMMING OPTIONS

NOTE: Some of the following dimmers are NOT outdoor rated. Please reach out to a LEDCONN Team Member for more information.

DIMMING OPTION 3: Low-voltage Dimming



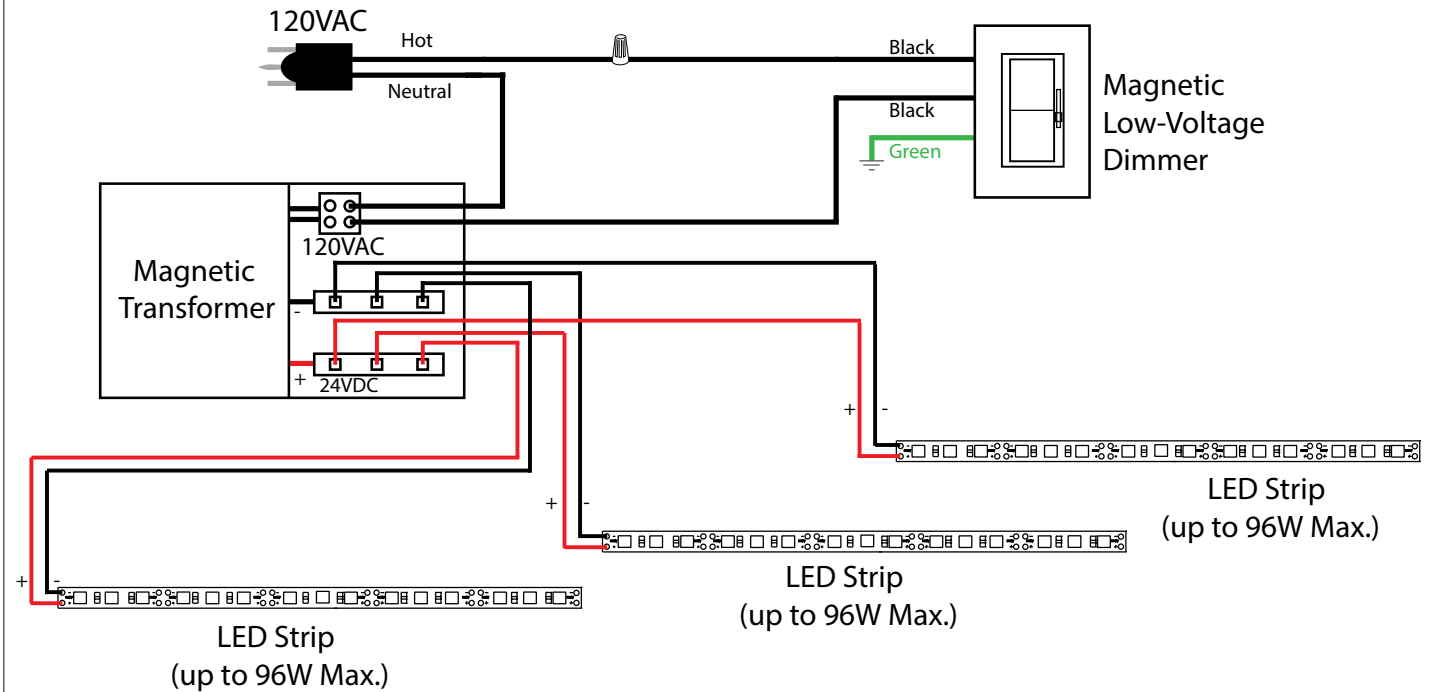
Magnetic Low-Voltage Dimmer



Magnetic Transformer

KEY SYSTEM FEATURES

- Fully dimmable with most Magnetic Low-Voltage Wall Mount Dimmer
- 96W/196W/288W Dimmable Magnetic Transformer with 24VDC output
- Meets CLASS 2 output limits
- Meets all UL, cUL, ANSI/UL, CSA requirements
- Simplified wiring



DRIVERS & DIMMERS

UL CLASS 2

Indoor & Outdoor Series

DIMMING OPTIONS

NOTE: Some of the following dimmers are NOT outdoor rated. Please reach out to a LEDCONN Team Member for more information.

DIMMING OPTION 4: 0-10V Dimming



Electronic Power Supply



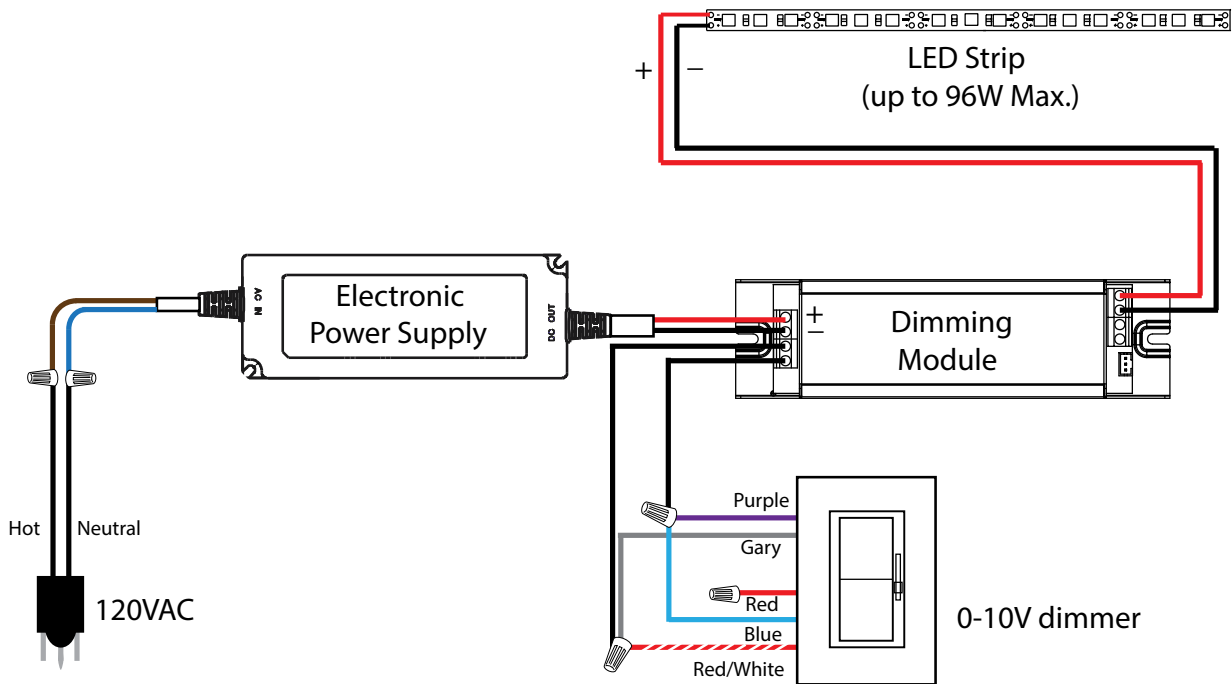
Dimming Module



0-10V dimmer

KEY SYSTEM FEATURES

- Utilize Pulse Width Modulation (PWM) to control LED performance
- Light weight, low profile
- Dimming range: 0-100%
- Short circuit, overload and overheating protection
- UL and cUL recognized components
- Class 2 power unit
- Build-in active PFC function



* Various dimming modules/dimmers are available, please contact project manager for more detail.