

# LUXMESH™

LATTICE

LED Backlighting

## POWERFULLY BRIGHT ILLUMINATION

Discover a versatile grand format backlighting solution that combines brilliant, innovative illumination with an energy-efficient design when you use **LUXMESH™ LED Lattice** to backlight large format graphics, such as those printed on our Profile 100 and 120 series Fabric Light Boxes. Featuring a wide beam angle, energy-saving design and consistent lighting output, LUXMESH™ is the designer's choice for backlighting even surfaces, including simple curved applications. Fully adjustable to meet your application's unique needs, mix and match the standard module sticks and combine them to your desired length for a custom fit that will provide full coverage without hot spots.



Powerful grand format backlighting made easy



**STRONG COLOR RENDERING**



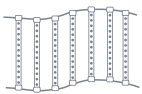
**OUTSTANDING BRIGHTNESS**



**EVEN LIGHTING NO DARK SPOTS**



**LONG LED LIFESPAN**



**CONTOURS FOR SIMPLE CURVES**



**EFFECTIVE BACKLIGHTING SOLUTION**



**WIDE BEAM ANGLE**



**80% ENERGY EFFICIENT**



**CUSTOM ROLL LENGTHS**



**CUSTOM COLORS**



**CONSTANT POWER - 24V**

## ASSURED QUALITY



E477011



100% QC MANUFACTURER'S WARRANTY



## LEDCONN

— Be the FOCUS —



(714) 256-2111



sales@ledconn.com



(714) 256-2118



301 Thor Place  
Brea, CA, 92821



[www.ledconn.com](http://www.ledconn.com)



LARGE FORMAT FABRIC LIGHT BOX FOR EXHIBIT



ILLUMINATED LED LATTICE

## APPLICATIONS

- Sign Cabinet Backlighting
- Fabric Light Box Backlighting
- Ceiling & Wall Backlighting
- Large Format Illumination
- Simple Curved Applications
- ...And Many More!

### SPECIFICATION SUBMITTAL

JOB NAME / NUMBER

PART NUMBER

# MECHANICAL

## LED MODULE

- LED Count** 3, 6, & 12 pc/stick
- PCB** 3/16" (w) x 9/32" (h) [20mm (w) x 7mm (h)]
- LED Pitch** 3-5/32" (80mm)
- Stick-to-Stick Pitch** 6" (152mm)
- No. of Sticks per Roll** 12 sticks
- Max. Roll Length** Unlimited
- Ambient Temperature** -4°F~+176°F (-20~+80°C)
- IP Rating** IP60\*
- Environment** Indoor applications

\*EXTERIOR applications (IP 65) available upon request

## MOUNTING

### Method

- Screws or
- Double-sided foam tape

**Optimal Cabinet Depth\*\*** 3"-5" (76mm-127mm)

\*\*Optimal depth to prevent hot spots

# ELECTRICAL

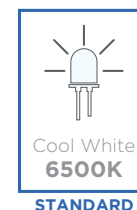
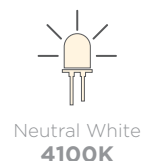
## LIGHT SOURCE

- LED Chip** Nichia 3030 LED
- Wide Beam Angle** 160° with Optical Lens
- Life Expectancy** 50,000+ hours
- Color Rendering** CRI 80+
- Standard Color** Cool White (6500K)
- Available Colors**
  - Daylight (5300K)
  - Neutral White (4100K)
- Dimmable** Compatible with pulse-width modulation dimming (PWM) & 0-10V dimming
- UL Listed** E477011

## POWER SUPPLY

- Input Voltage** 24Vdc constant current
- Wire Size** 20 AWG 2 Wire
- Please use only with Class 2 power supply**
- Connector Type**
  - Molex®
  - Hardwire

AVAILABLE  
COLOR TEMP.  
(CCT)



SIZE	STICK WIDTH	LED/STICK	ROLL LENGTH	LED	BRIGHTNESS (lm/stick)	EFFICACY (lm/W)	POWER (W/stick)	MAX LOAD (96W)
Short	9-1/2" (241mm)	3	72" (1829mm)	IP60	320	86.5	3.7	24 sticks
Medium	19-1/4" (489mm)	6	72" (1829mm)	IP60	650	86.7	7.5	12 sticks
Long	37-3/4" (959mm)	12	72" (1829mm)	IP60	1300	86.7	15.0	6 sticks

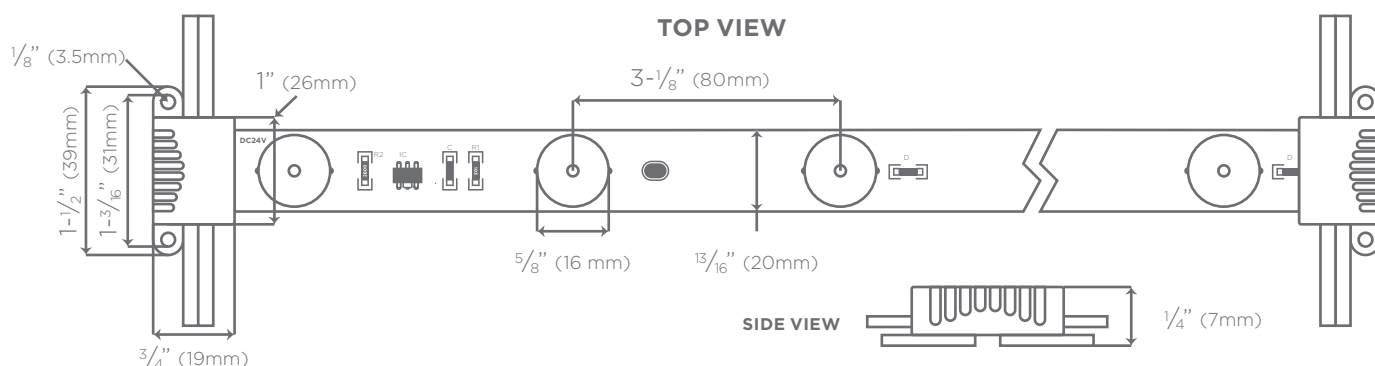


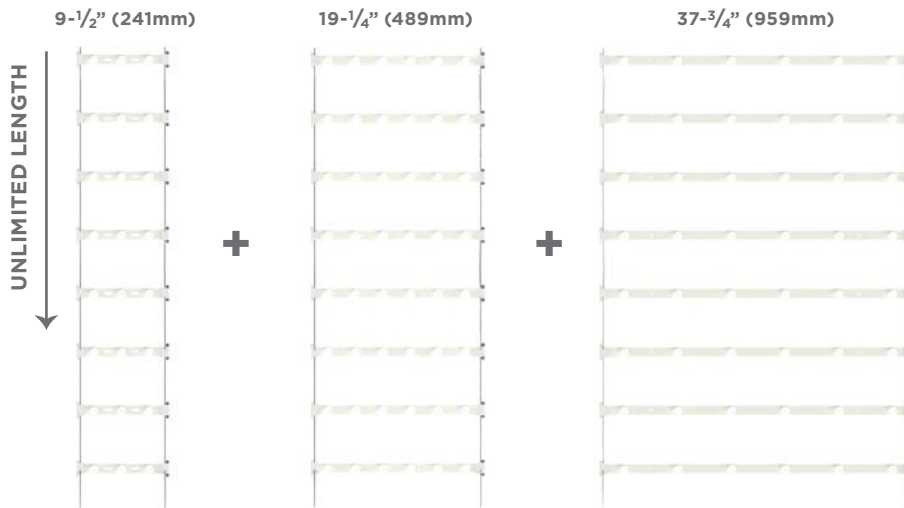
ILLUSTRATION NOT DRAWN TO SCALE

## SPECIFICATION SUBMITTAL

JOB NAME / NUMBER	PART NUMBER
-------------------	-------------

# AVAILABLE PRODUCTS

## MIX & MATCH 3 BAR SIZES



**UNLIMITED  
COMBINATIONS  
& LENGTHS**

LINK LED STICKS HORIZONTALLY  
OR VERTICALLY WITHOUT LIMIT

# LATTICE PART NUMBER ORDER SHEET

### EXAMPLE

<b>M3872WM</b>	LUXMESH <b>M</b>	LONG STICK <b>38</b>	72" <b>72</b>	6500K <b>W</b>	MOLEX <b>M</b>
	PRODUCT LINE/PROFILE	STICK WIDTH	ROLL LENGTH (MULTIPLES OF 6 ONLY)	COLOR	CONNECTOR
<b>BUILD IT!</b>					

### PRODUCT LINE

**M** LUXMESH™

### STICK WIDTH

- 09** 9-1/2" (SHORT)
- 19** 19-1/4" (MEDIUM)
- 38** 37-3/4" (LONG)

### ROLL LENGTH (MULTIPLES OF 6 ONLY)

**LL** LENGTH (VARIES)

### COLOR TEMPERATURE (CCT)

- W** 6500K
- V** 5300K
- Y** 4100K
- C** CUSTOM CCT

### CONNECTOR

- M** MOLEX
- H** HARDWIRE

### SPECIFICATION SUBMITTAL

JOB NAME / NUMBER	PART NUMBER
-------------------	-------------