

LUXLINE™

3528/120/8 - TUNABLE WHITE Flexible LED Strip Lighting

CREATE YOUR AMBIENCE

Featuring a variable range of 2700K-6500K and commercial-grade, optimal color rendering of 90+, create the ambience and specific shade of white you desire with our slim **LUXLINE™ 3528 Tunable White LED Strips**. Conveniently adjust lighting from day to evening and from warm white to cool white with compatible controls, including pulse-width modulation, 0-10 dimming, and magnetic low voltage dimming. Operating at 24V and field cuttable every 1.96" (50mm), or 6 LEDs, these strips are excellent way to create white lighting that best matches the installation environment for many architectural, retail, and signage applications.



 COMPATIBLE WITH TUNABLE WHITE CONTROL	 OPTIMAL COLOR RENDERING	 OUTSTANDING BRIGHTNESS	 LONG LED LIFESPAN
 WIDE BEAM ANGLE	 FLEX & CURVE	 SLIM WIDTH	 CUTTABLE
 80% ENERGY EFFICIENT	 CUSTOM LENGTHS	 CONSTANT VOLTAGE	 CONSISTENT COLOR

Adjust your lights to create your ambience.

ASSURED QUALITY

 E477011	 100% QC	 LIMITED WARRANTY		
---	---	--	---	---

LEDCONN

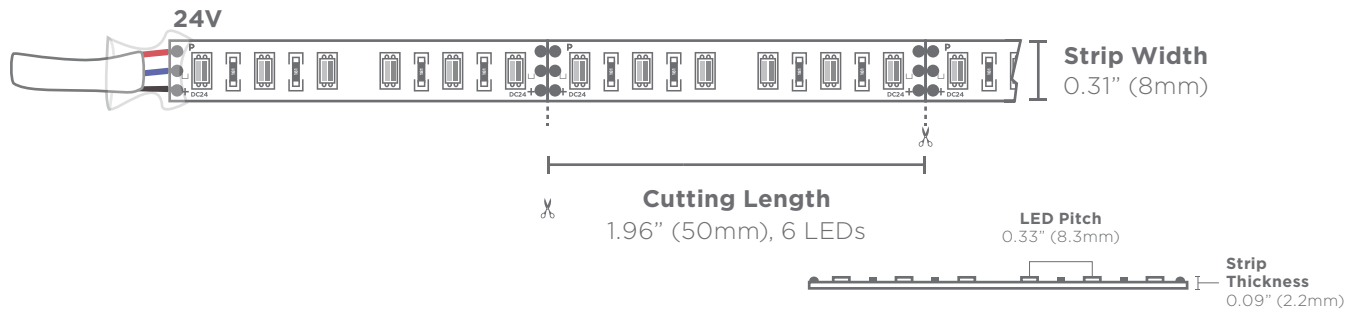
— Be the FOCUS —

-  (714) 256-2111
-  sales@ledconn.com
-  (714) 256-2118
-  301 Thor Place
Brea, CA, 92821
-  www.ledconn.com

MECHANICAL

LED STRIP CUTTING DIAGRAM

Not drawn to scale.



PARAMETERS

KEY

- S** Strip Type
- V** Operating Voltage
- P** Center-to-Center Pitch
- C₁** Cutting Length - From Edge
- C₂** Standard Cutting Length
- W** Strip Width
- #** # LEDs per Cut Strip

S	V	P	C ₁	W	#
3528 (Tunable White)	24V	0.33" (8.3mm)	1.96" (50mm)	0.31" (8mm)	6

LED MODULE

- LED Type** EPISTAR 3528 SMD LED
- LED Count** 36 pc/ft (120 pc/m)
- Dimensions** 0.31" (w) x X" (h) [8mm (w) x Xmm (h)]
- LED Pitch** 0.33" (8.3mm)
- LED Strip Width** 0.31" (8mm)
- LED Node Size** 3528
- Roll Length** 13 ft 1 7/16 in (5m)

MOUNTING

Field Cuttable 1.96" (50mm), every 6 LEDs

Mounting Options

- 3M™ Adhesive
- Magnets

Heat Sink Not required

Environment Indoor/dry location

IP Rating¹ IP22

Operating Temperature -40°F-176°F (-40-80°C)

¹ Custom IP Ratings—including EXTERIOR applications (IP 67 & 68)—available upon request.

SPECIFICATION SUBMITTAL

JOB NAME / NUMBER	PART NUMBER
-------------------	-------------

ELECTRICAL

PHOTOMETRICS

Wide Beam Angle 120°
Lamp Life 50,000+ hours
Color Rendering Index (CRI/Ra) 90+
Adjustable Color Temperature 2700K-6500K
Lumen Efficacy 43 lm/W
Luminous Flux 253 lm/ft (830 lm/m)
UL Listed E477011

POWER SUPPLY

Input Voltage 24VDC constant voltage
Input Current 0.24 A/ft (0.8 A/m)
Power Consumption 5.85 W/ft (19.2 W/m)
Wire Size 20 AWG 2 Wire
Please use only with Class 2 power supply

Connector Type

- Molex®
- DC Barrel Jack
- Hardwire

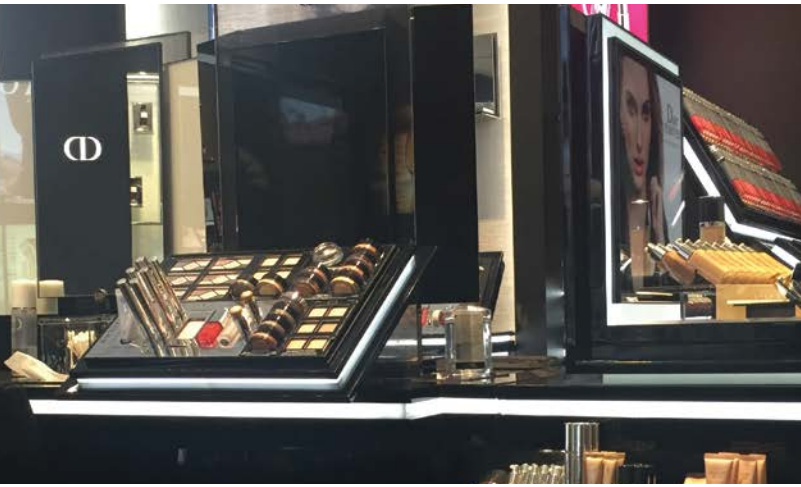
COMPATIBLE CONTROL

- Pulse-width modulation
- 0-10V dimming
- Magnetic low voltage (MLV)

	CCT	CRI	EFFICACY	BEAM ANGLE	LUMINOUS FLUX	POWER
	2700K-6500K Warm Glow to Cool White	≥ 90	43 lm/W	120°	253 lm/ft (830 lm/m)	5.85 W/ft (19.2 W/m)

SPECIFICATION SUBMITTAL

JOB NAME / NUMBER	PART NUMBER
-------------------	-------------



INTERIOR COVE LIGHTING



INDOOR ACCENT LIGHTING

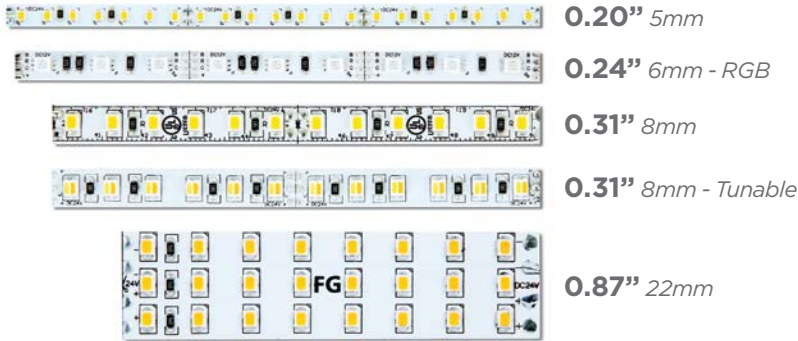
APPLICATIONS

- Cove Lighting
- Indoor Accent Lighting
- Ambient Lighting
- Under Cabinet LED Lighting
- Showcase & Bookshelf Lighting
- Retail Merchandising Displays
- Illuminated POP Displays
- Path and Contour Marking
- Ultra LED-slim light boxes & light panels
- ...And Many More!

SPECIFICATION SUBMITTAL

JOB NAME / NUMBER	PART NUMBER
-------------------	-------------

ADDITIONAL STRIP WIDTHS



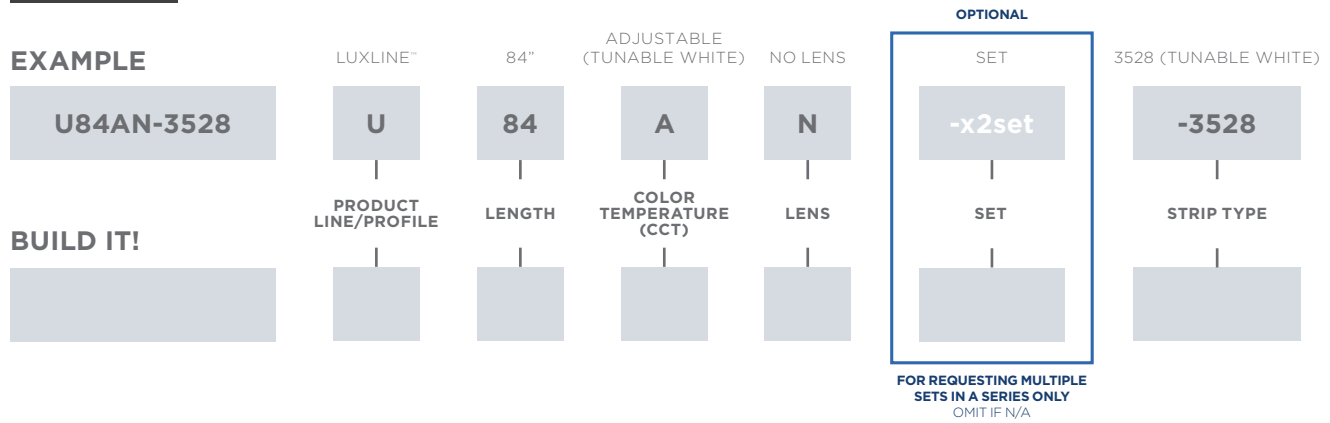
AVAILABLE IN

MULTIPLE STRIP WIDTHS & COLOR TEMPERATURES

Contact a Sales Rep for More Information



LUXLINE™ LIGHT STRIP PART NUMBER



PRODUCT LINE

U LUXLINE™

DIMENSIONS (IN INCHES)

LL VARIES

COLOR TEMPERATURE (CCT)

- W** 6500K
- V** 5300K
- Y** 4100K
- Z** 3000K
- T** TRICOLOR (RGB)
- A** ADJUSTABLE (TUNABLE WHITE)
- R** RED
- G** GREEN
- B** BLUE
- C** CUSTOM CCT

LENS

N NO LENS

SET (OPTIONAL)

- x2set** SET (OMIT IF N/A)
- LED**
- 2016** 2016/182/5 (5mm)
- 2835R** 2835R/120/8 (8mm)
- 2835RO** 2835RO/84/8 (8mm)
- 2835H3** 2835H3/288/22 (22mm)
- 3528H** 3528H/90/5 (5mm)
- 3528** 3528/120/8 - TUNABLE WHITE (6mm) & 3528RGB/84/6 - RGB (6mm)

SPECIFICATION SUBMITTAL

JOB NAME / NUMBER	PART NUMBER
-------------------	-------------